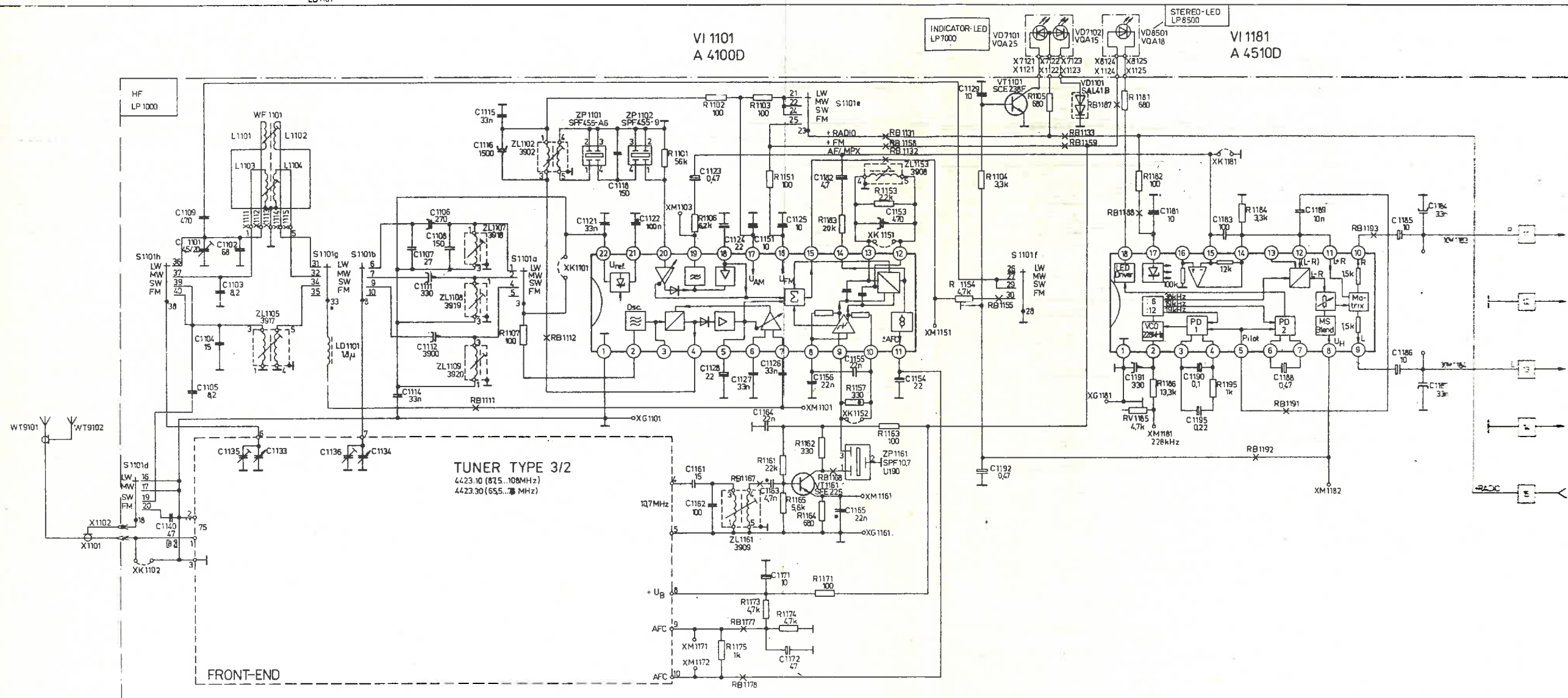
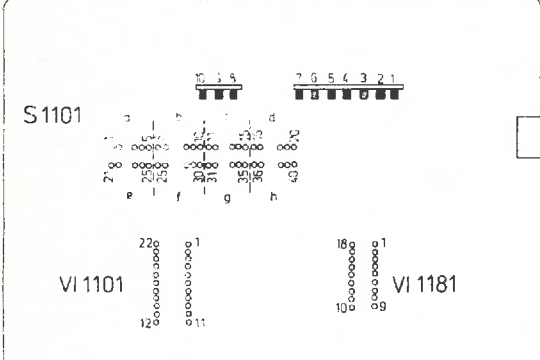


1107	1108	1109	1110	1111	1112	1113	1114	1115	1116	1117	1118	1119	1120	1121	1122	1123	1124	1125	1126	1127	1128	1129	1130	1131	1132	1133	1134	1135	1136	1137	1138	1139	1140	1141	1142	1143	1144	1145	1146	1147	1148	1149	1150	1151	1152	1153	1154	1155	1156	1157	1158	1159	1160	1161	1162	1163	1164	1165	1166	1167	1168	1169	1170	1171	1172	1173	1174	1175	1176	1177	1178	1179	1180	1181	1182	1183	1184	1185	1186	1187	1188	1189	1190	1191	1192	1193	1194	1195	1196	1197	1198	1199	1200
------	------	------	------	------	------	------	------	------	------	------	------	------	------	------	------	------	------	------	------	------	------	------	------	------	------	------	------	------	------	------	------	------	------	------	------	------	------	------	------	------	------	------	------	------	------	------	------	------	------	------	------	------	------	------	------	------	------	------	------	------	------	------	------	------	------	------	------	------	------	------	------	------	------	------	------	------	------	------	------	------	------	------	------	------	------	------	------	------	------	------	------	------	------



VIEW TO PRINTED CIRCUIT



Component symbols and their designations:

- Diodes:** SCE 238F, SFE 225, KAIKA, SAL41, VOA15, VOA18, VOA25.
- Resistors:** CER, KT, KS, Chip.
- Capacitors:** FILTER, SPF 10.7, SPF 455.
- Inductors:** A4100, A4510.

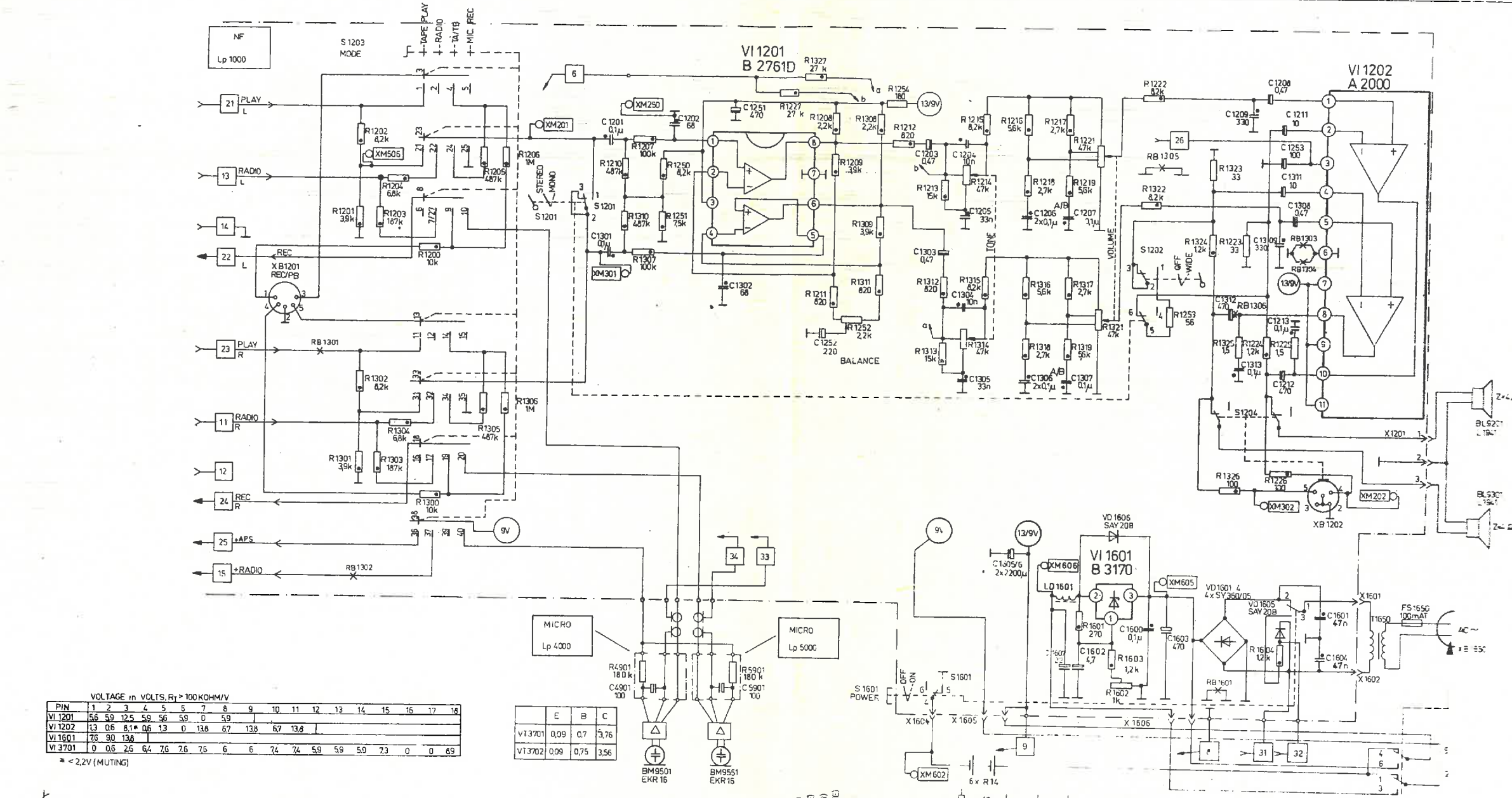
VOLTAGE IN VOLTS  $U_B = 9V, R_i \geq 1M\Omega/V$

PIN	1	2	3	4	5	6	7	8	9	10	11	12	13	14	15	16	17	18	19	20	21	22
VI1101	0	<3	<4	<0.5	0	0	0	15	15	4.2	2.6	2.6	19	0.25*	6.1	<2.5	0	0	0	0	0	27
VI1181	0	14	2.2	2.2	1.5	2.2	2.2	0.12*	2.1	2.1	1.5	1.5	1.5	1.5	1.5	8.1	7.5*	/	/	/	/	/

\* DEPENDENT ON SIGNAL-LEVEL  
 + FOR MONO-SIGNAL (STEREO-SIGNAL < 15V)

**UWAGA!**  
 Zmiany zachodzące w toku produkcji  
 nie są uwzględnione na schemacie

R	3701	3702	3703	3706	1202	1203	1204	1200	1205	1206	1210	1207	1250	5901	1227	1208	1327	1309	1254	1312	1215	1214	1216	1217	1221	1321	1222	1324	1323	1225		
C	3701	3702	3703	3704	1201	1301	1302	1303	1304	1305	1306	1202	1251	5901	1302	1252	1302	1302	1302	1304	1305	1605	1206	1306	1207	1307	1600	1308	1208	1211	1211	1600

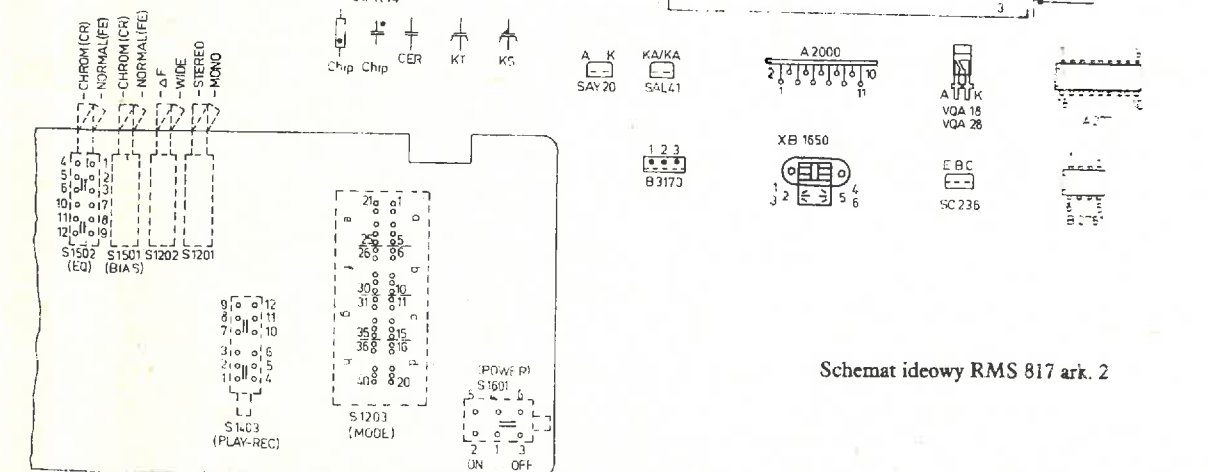
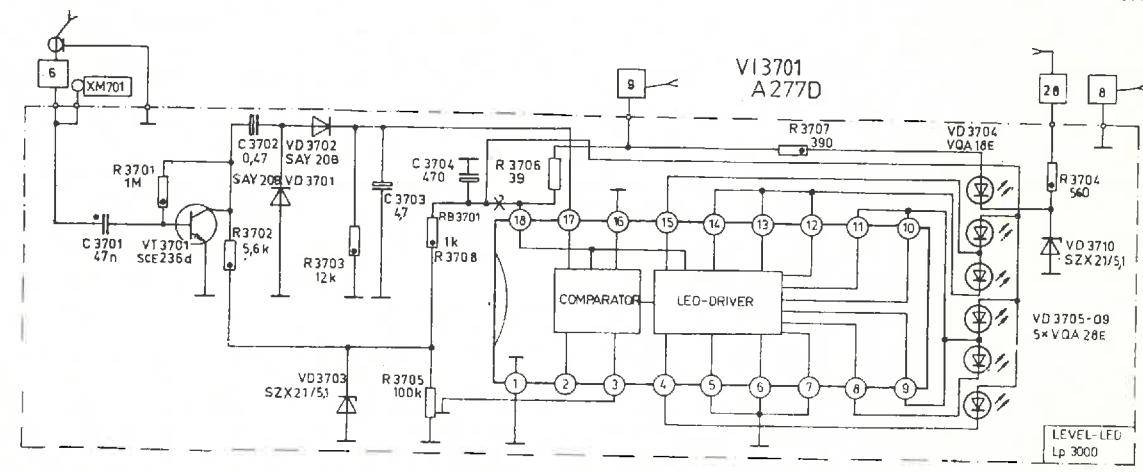


VOLTAGE in VOLTS, R<sub>T</sub> > 100KOHM/V

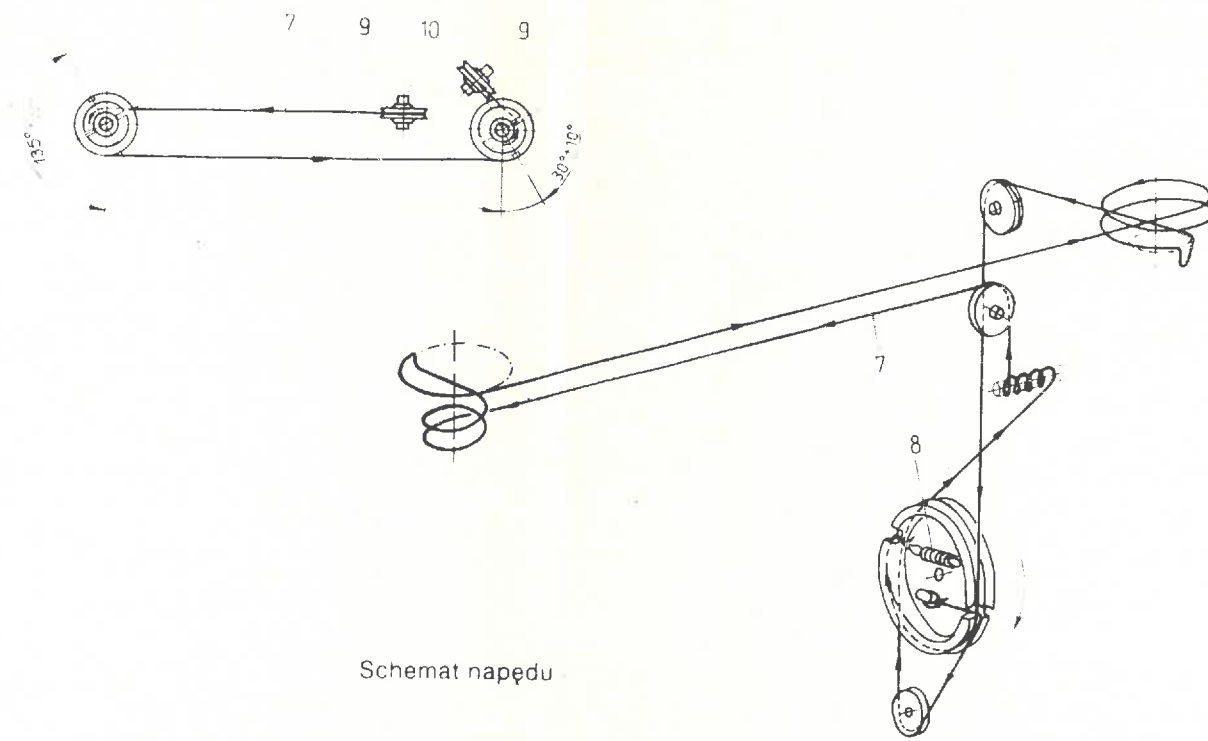
PIN	1	2	3	4	5	6	7	8	9	10	11	12	13	14	15	16	17	18
VI 1201	5.6	5.9	12.5	5.9	5.6	5.9	0	5.9										
VI 1202	1.3	0.6	8.1	0.6	1.3	0	1.3	6.7	1.3	6.7	1.3							
VI 1601	7.6	3.0	1.3															
VI 3701	0	0.6	2.6	6.4	7.6	7.6	6	6	7.4	7.4	5.9	5.9	5.9	7.3	0	0	6.9	

\* < 2.2V (MUTING)

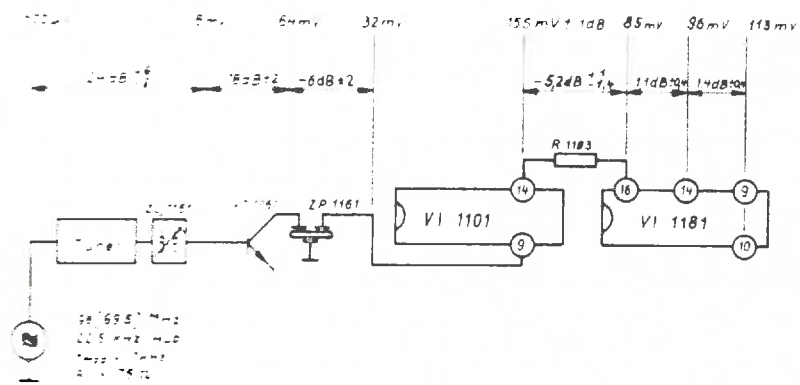
	E	B	C
VI 13701	0.09	0.7	3.76
VI 13702	0.09	0.75	3.56



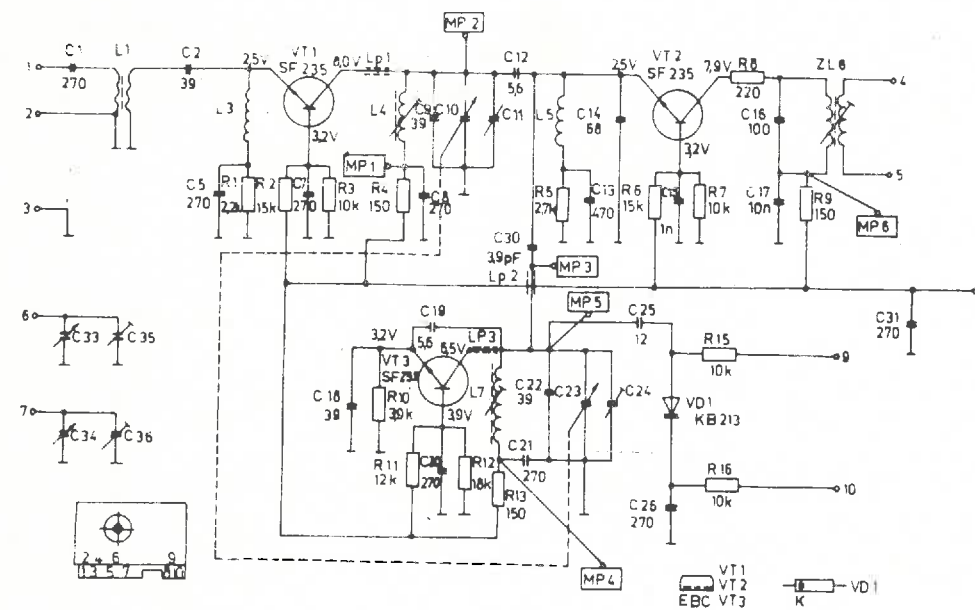
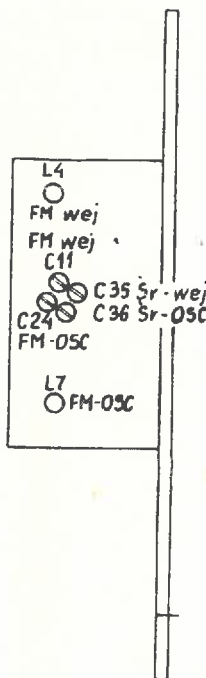
Schemat ideowy RMS 817 ark. 2



Schemat napędu

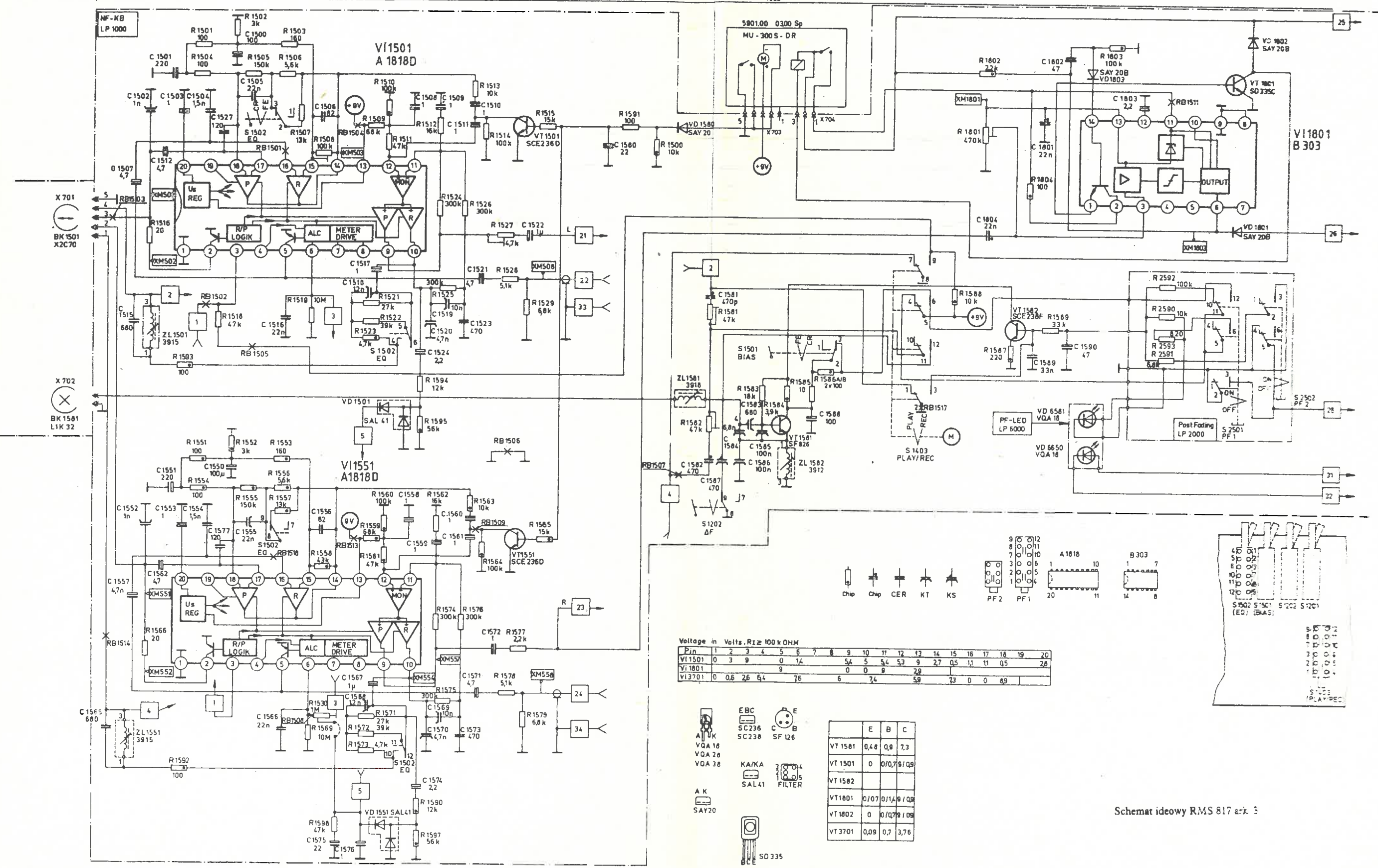


Wartości napięć zmiennych na zakresie FM



Tuner Typu 3/2  
(Głowica UKF)

R	1516 1518 1520 1522 1524 1526 1528 1530 1532 1534 1536 1538 1540 1542 1544 1546 1548 1550 1552 1554 1556 1558 1560 1562 1564 1566 1568 1570 1572 1574 1576 1578 1580 1582 1584 1586 1588 1590 1592 1594 1596 1598 1600	1501 1502 1503 1504 1505 1506 1507 1508 1509 1510 1511 1512 1513 1514 1515 1516 1517 1518 1519 1520 1521 1522 1523 1524 1525 1526 1527 1528 1529 1530 1531 1532 1533 1534 1535 1536 1537 1538 1539 1540 1541 1542 1543 1544 1545 1546 1547 1548 1549 1550	1501 1502 1503 1504 1505 1506 1507 1508 1509 1510 1511 1512 1513 1514 1515 1516 1517 1518 1519 1520 1521 1522 1523 1524 1525 1526 1527 1528 1529 1530 1531 1532 1533 1534 1535 1536 1537 1538 1539 1540 1541 1542 1543 1544 1545 1546 1547 1548 1549 1550	1581 1582 1583 1584 1585 1586 1587 1588 1589 1590 1591 1592 1593 1594 1595 1596 1597 1598 1599 1600	1801 1802 1803 1804 1805 1806 1807 1808 1809 1810 1811 1812 1813 1814 1815 1816 1817 1818 1819 1820	2582 2583 2584 2585 2586 2587 2588 2589 2590 2591 2592 2593 2594 2595 2596 2597 2598 2599 2600 2601
C	1502 1503 1504 1505 1506 1507 1508 1509 1510 1511 1512 1513 1514 1515 1516 1517 1518 1519 1520 1521 1522 1523 1524 1525 1526 1527 1528 1529 1530 1531 1532 1533 1534 1535 1536 1537 1538 1539 1540 1541 1542 1543 1544 1545 1546 1547 1548 1549 1550	1501 1502 1503 1504 1505 1506 1507 1508 1509 1510 1511 1512 1513 1514 1515 1516 1517 1518 1519 1520 1521 1522 1523 1524 1525 1526 1527 1528 1529 1530 1531 1532 1533 1534 1535 1536 1537 1538 1539 1540 1541 1542 1543 1544 1545 1546 1547 1548 1549 1550	1501 1502 1503 1504 1505 1506 1507 1508 1509 1510 1511 1512 1513 1514 1515 1516 1517 1518 1519 1520 1521 1522 1523 1524 1525 1526 1527 1528 1529 1530 1531 1532 1533 1534 1535 1536 1537 1538 1539 1540 1541 1542 1543 1544 1545 1546 1547 1548 1549 1550	1581 1582 1583 1584 1585 1586 1587 1588 1589 1590 1591 1592 1593 1594 1595 1596 1597 1598 1599 1600	1801 1802 1803 1804 1805 1806 1807 1808 1809 1810 1811 1812 1813 1814 1815 1816 1817 1818 1819 1820	2582 2583 2584 2585 2586 2587 2588 2589 2590 2591 2592 2593 2594 2595 2596 2597 2598 2599 2600 2601
L	1551 1552 1553 1554 1555 1556 1557 1558 1559 1560 1561 1562 1563 1564 1565 1566 1567 1568 1569 1570 1571 1572 1573 1574 1575 1576 1577 1578 1579 1580	1581 1582 1583 1584 1585 1586 1587 1588 1589 1590 1591 1592 1593 1594 1595 1596 1597 1598 1599 1600	1801 1802 1803 1804 1805 1806 1807 1808 1809 1810 1811 1812 1813 1814 1815 1816 1817 1818 1819 1820	2582 2583 2584 2585 2586 2587 2588 2589 2590 2591 2592 2593 2594 2595 2596 2597 2598 2599 2600 2601		

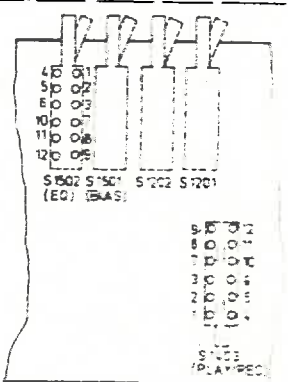


Voltage in Volts. R<sub>12</sub> = 100 kΩ

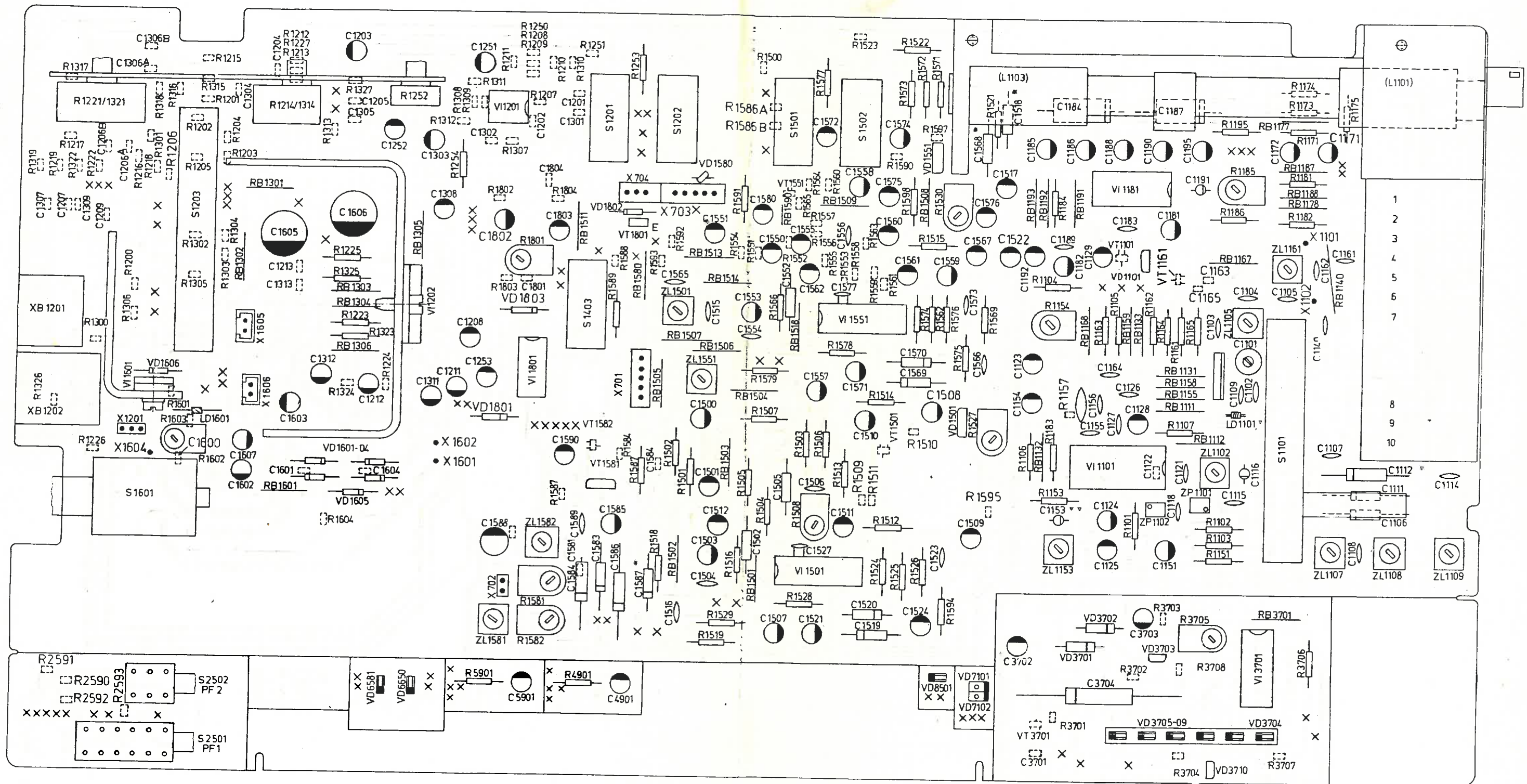
Pin	1	2	3	4	5	6	7	8	9	10	11	12	13	14	15	16	17	18	19	20
VI1501	0	3	9	0	74	54	5	54	53	9	27	05	11	11	05					
VI1801										9	0	0	28							
VI3701	0	0,6	2,6	6,4		7,6					6	7,4	5,9	7,3	0	0	0,89			

- Chip  
 Chip  
 CER  
 KT  
 KS  
 PF 2  
 PF 1  
 A 10K  
 VQA 16  
 VQA 28  
 VQA 38  
 A K  
 SAY 20  
 EBC  
 SCE 236  
 SCE 238  
 KAKA  
 SAL 41  
 FILTER  
 E  
 C  
 B  
 SF 126  
 VT 1581  
 VT 1501  
 VT 1582  
 VT 1801  
 VT 1802  
 VT 3701  
 SD 335

	E	B	C
VT 1581	0,48	0,8	7,3
VT 1501	0	0/0,79/0,89	
VT 1582			
VT 1801	0/0,07	0/1,14	0/0,89
VT 1802	0	0/0,79	0,89
VT 3701	0,09	0,7	3,76



Schemat ideowy RMS 817 ark. 3



Płytką montażową kpl.