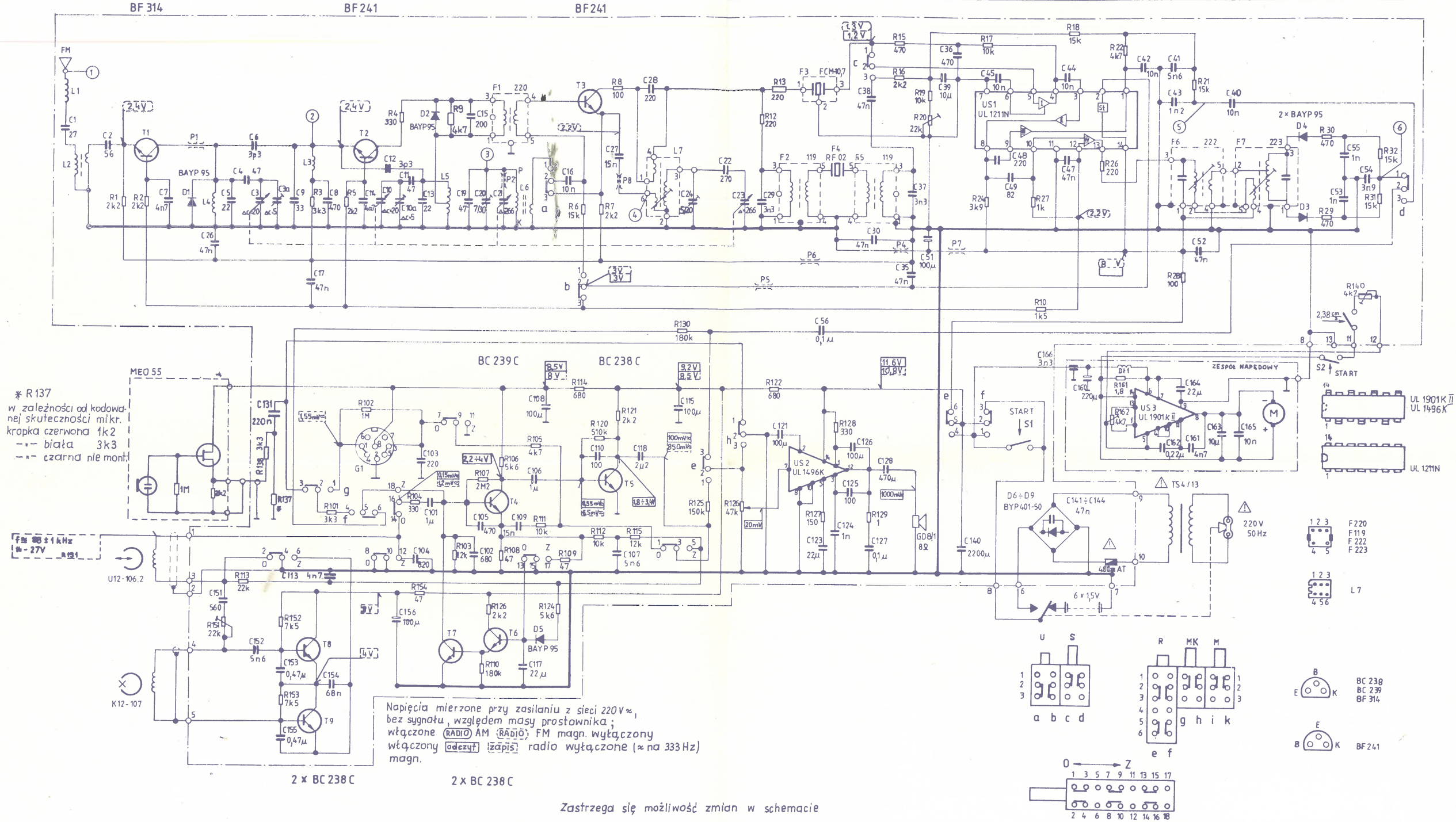


R	1, 2	151, 113, 152, 153, 130, 101, 5, 102	4, 104, 154	9, 103, 107, 110, 106, 108, 126, 111, 109, 125, 124, 105	6, 7, 114, 120, 112, 8, 121, 115	130, 125	126, 12, 122, 13	127, 128	129, 15, 16, 19, 20	17, 24	27, 10	18, 26, 22, 161, 162	28, 21	30, 29, 140, 32, 31
A	1, 2	7, 26, 5, 15, 1, 3, 6, 3, 15, 3, 9, 15, 17, 8, 154, 14, 12, 10, 156, 10a, 11, 13, 103, 104, 101, 15, 19, 20, 102, 105, 109, 117, 108, 106, 16	110, 107, 28, 118	24, 115, 25	22, 23, 29, 121	56, 123, 124, 125, 126, 38, 128, 127, 35, 37, 51	36, 39, 140, 45, 48, 49	41, 144, 44, 47	166, 160	42, 162, 41, 43, 164, 161, 52, 163, 40, 165	55, 53, 54			



Zastrzeżenie: możliwość zmian w schemacie

Schemat ideowy RM 132

SCHEMAT RM 132